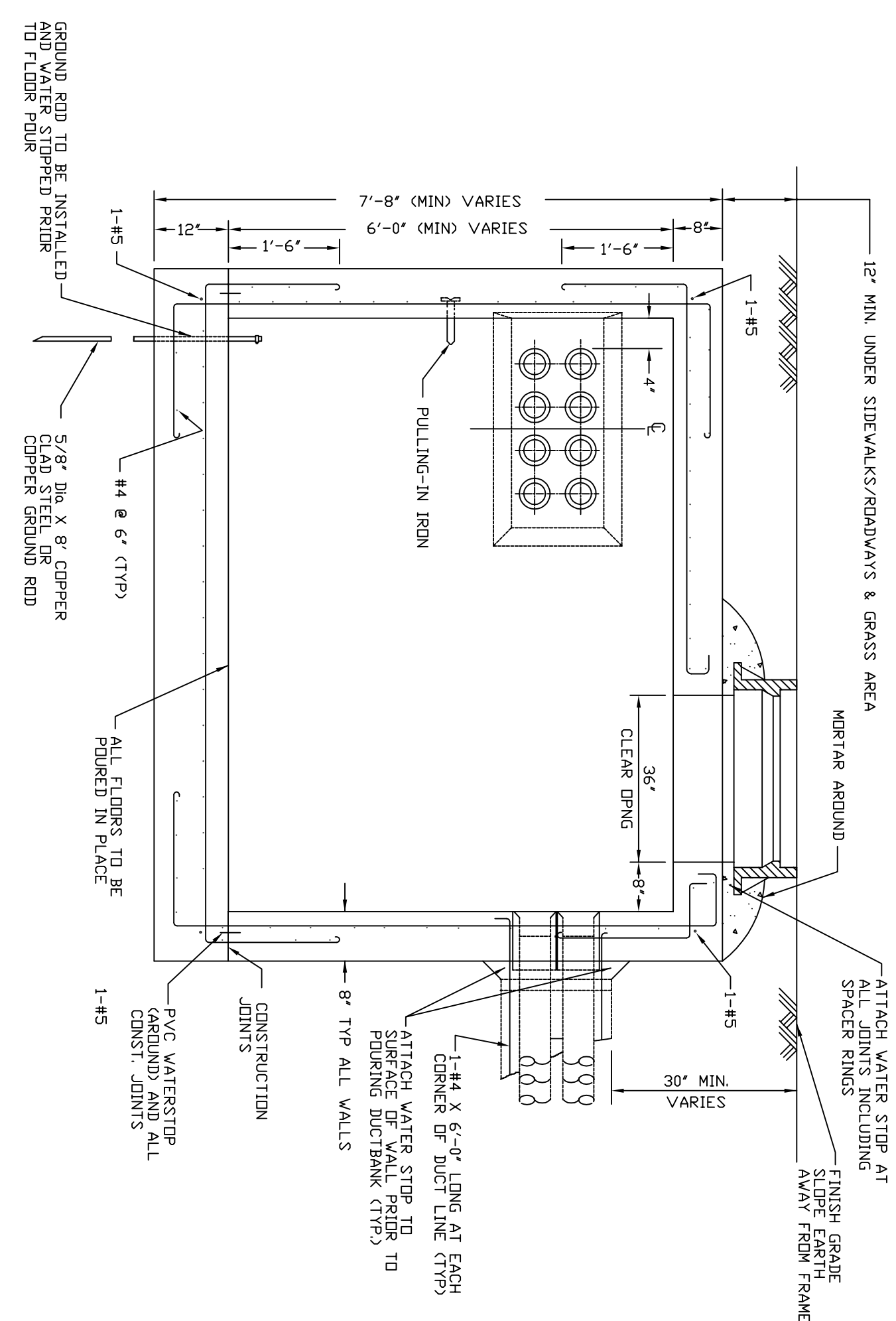
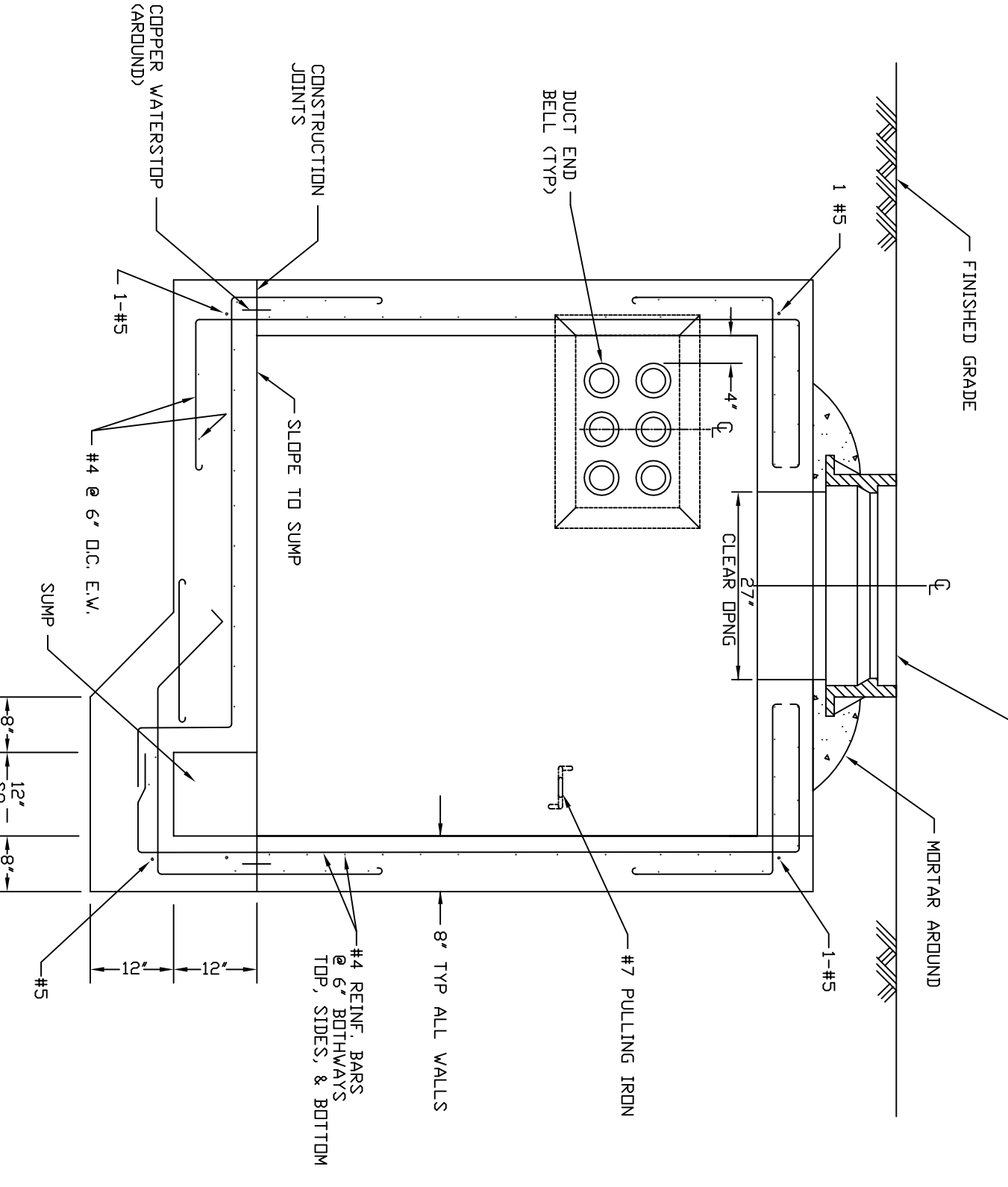


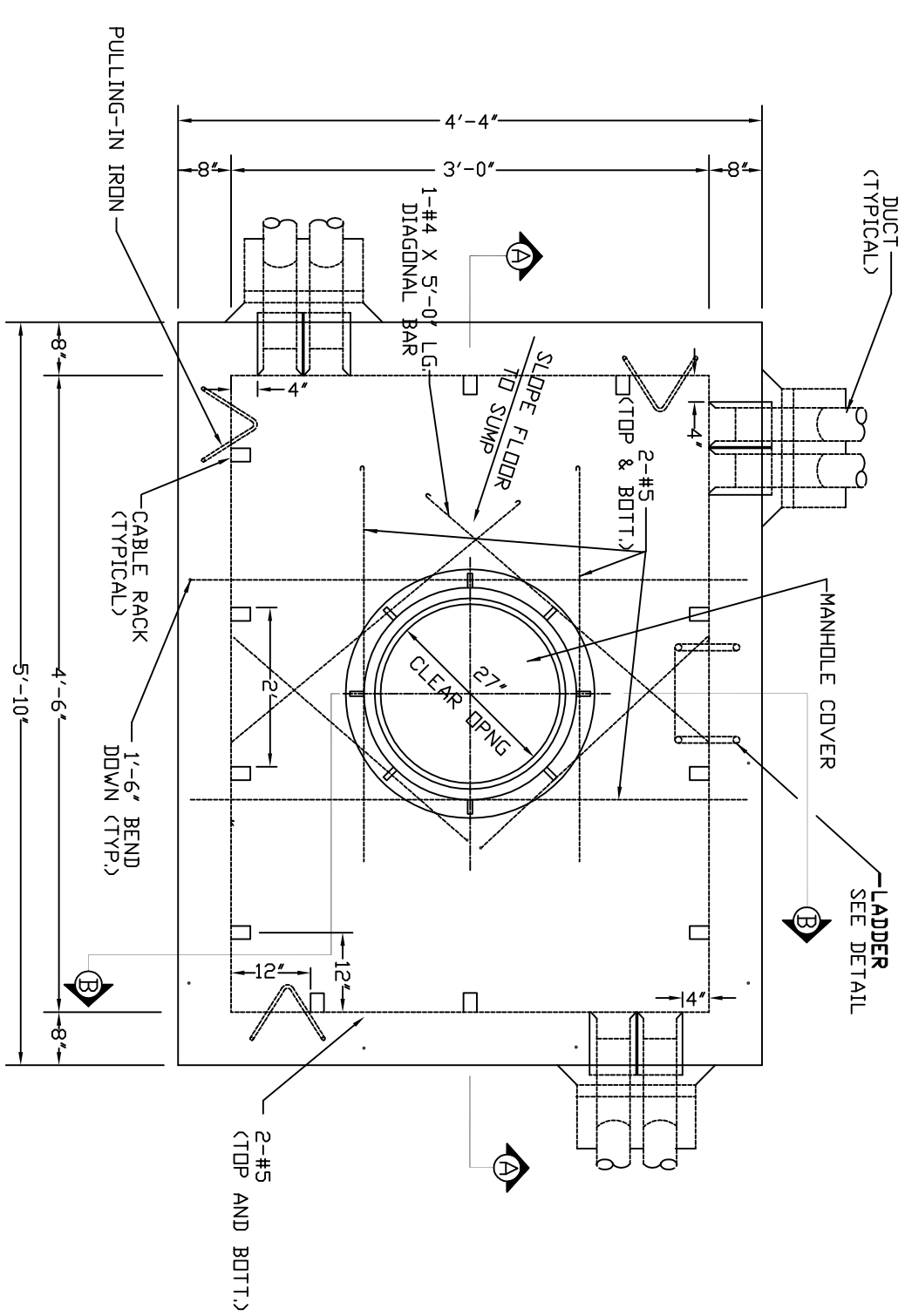
1 MANHOLE DETAIL - ELECTRIC
NO SCALE



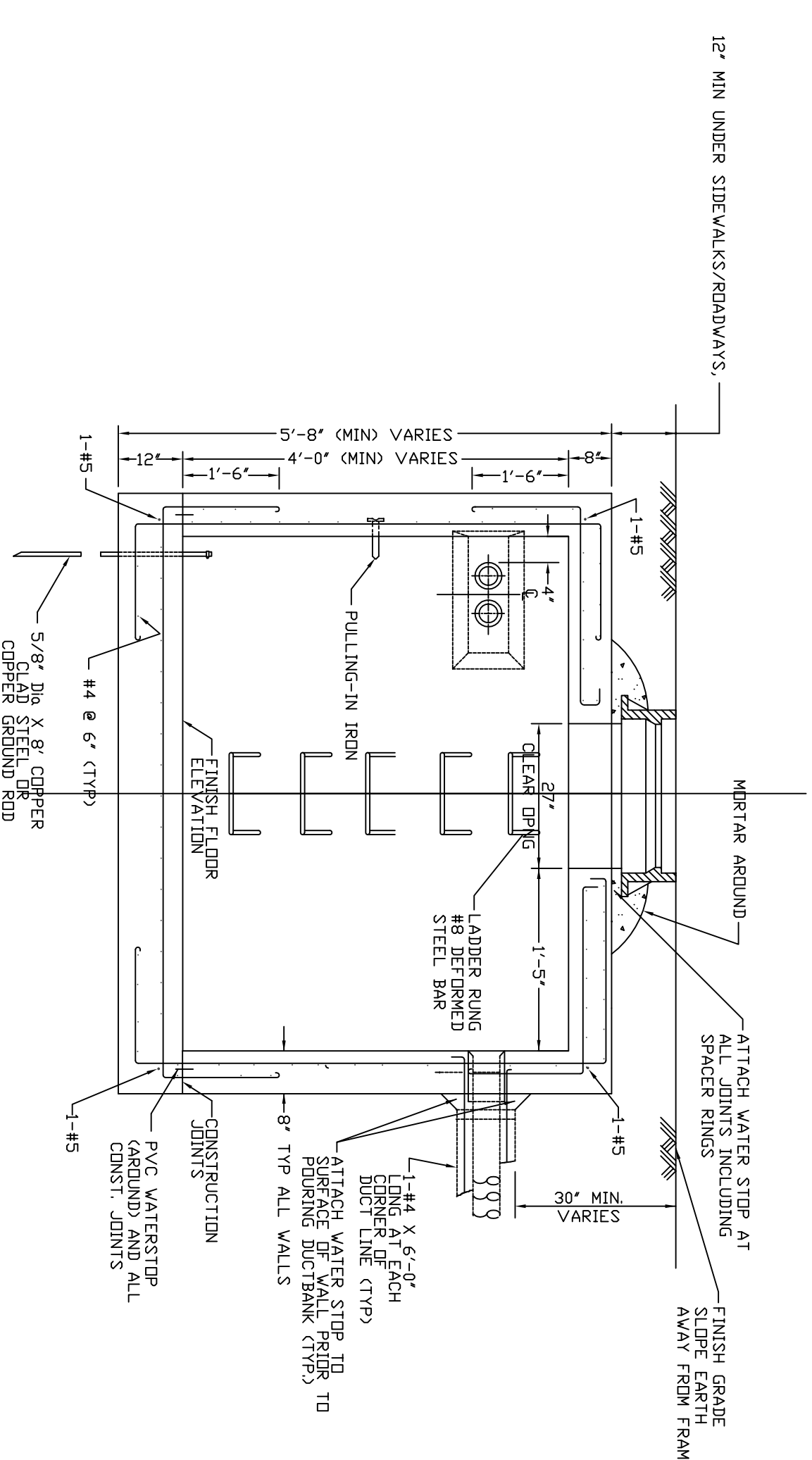
2 SECTION A-A MANHOLE DETAIL - ELECTRIC
NO SCALE



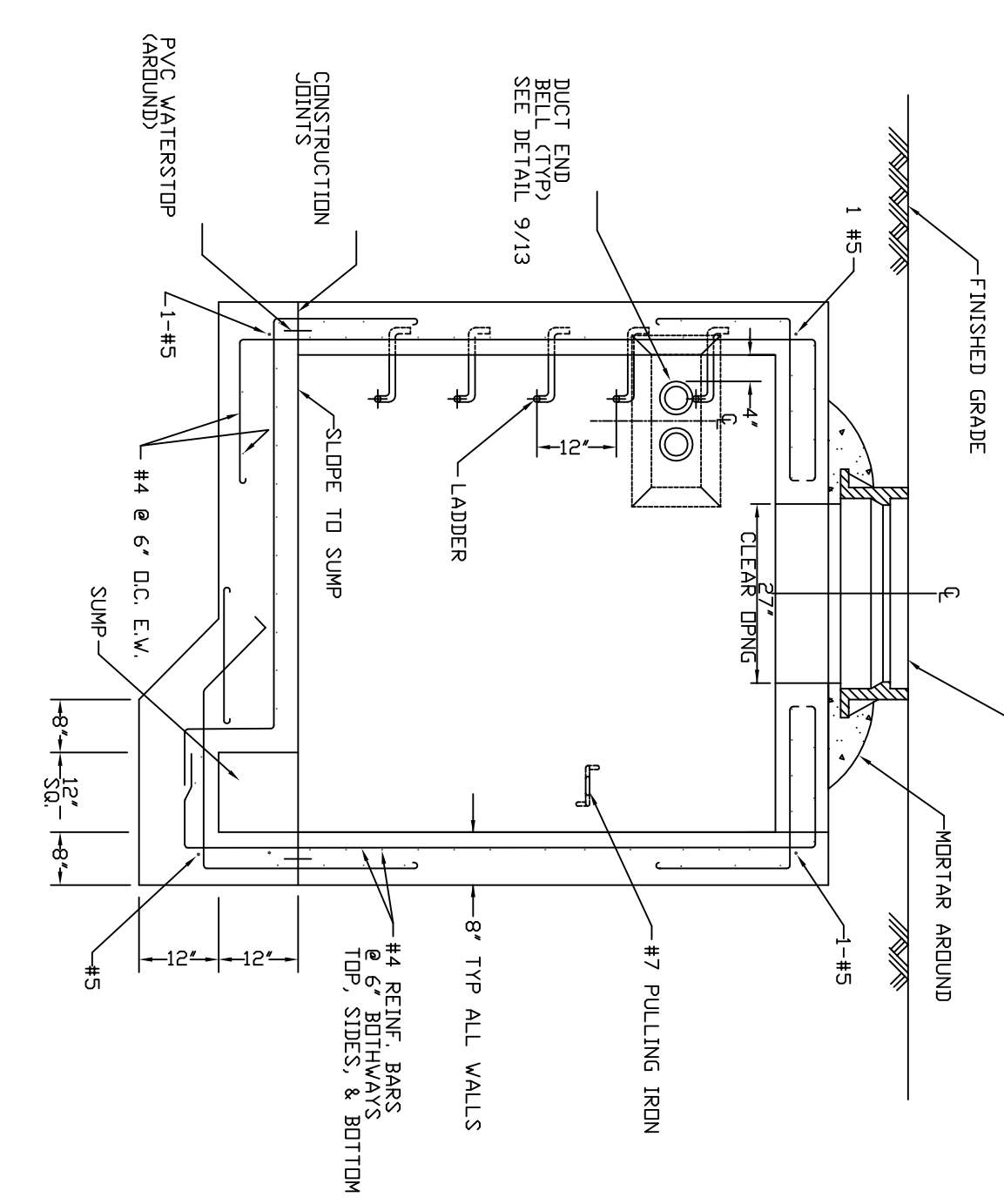
3 SECTION B-B MANHOLE DETAIL - ELECTRIC
NO SCALE



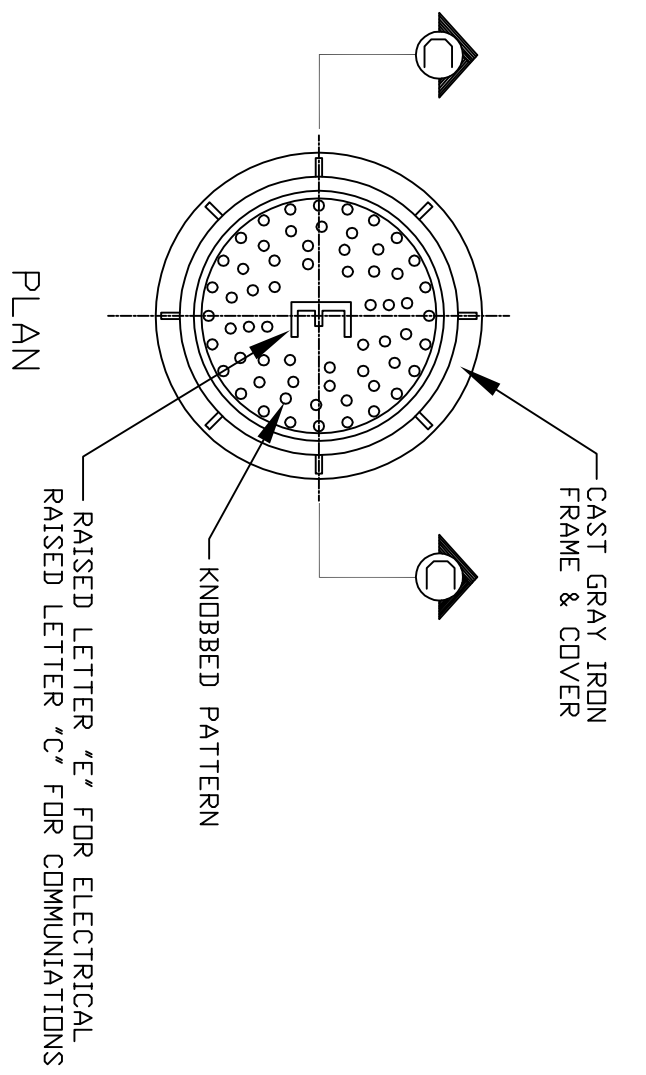
MANHOLE DETAIL - COMM
NO SCALE



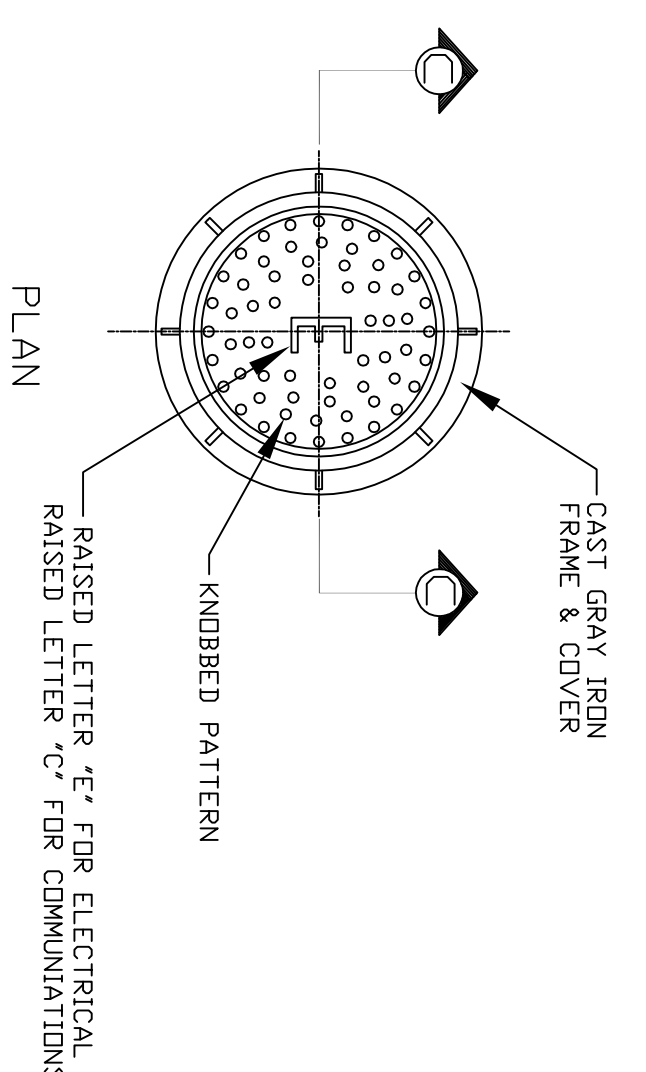
SECTION A-A MANHOLE DETAIL - COMM
NO SCALE



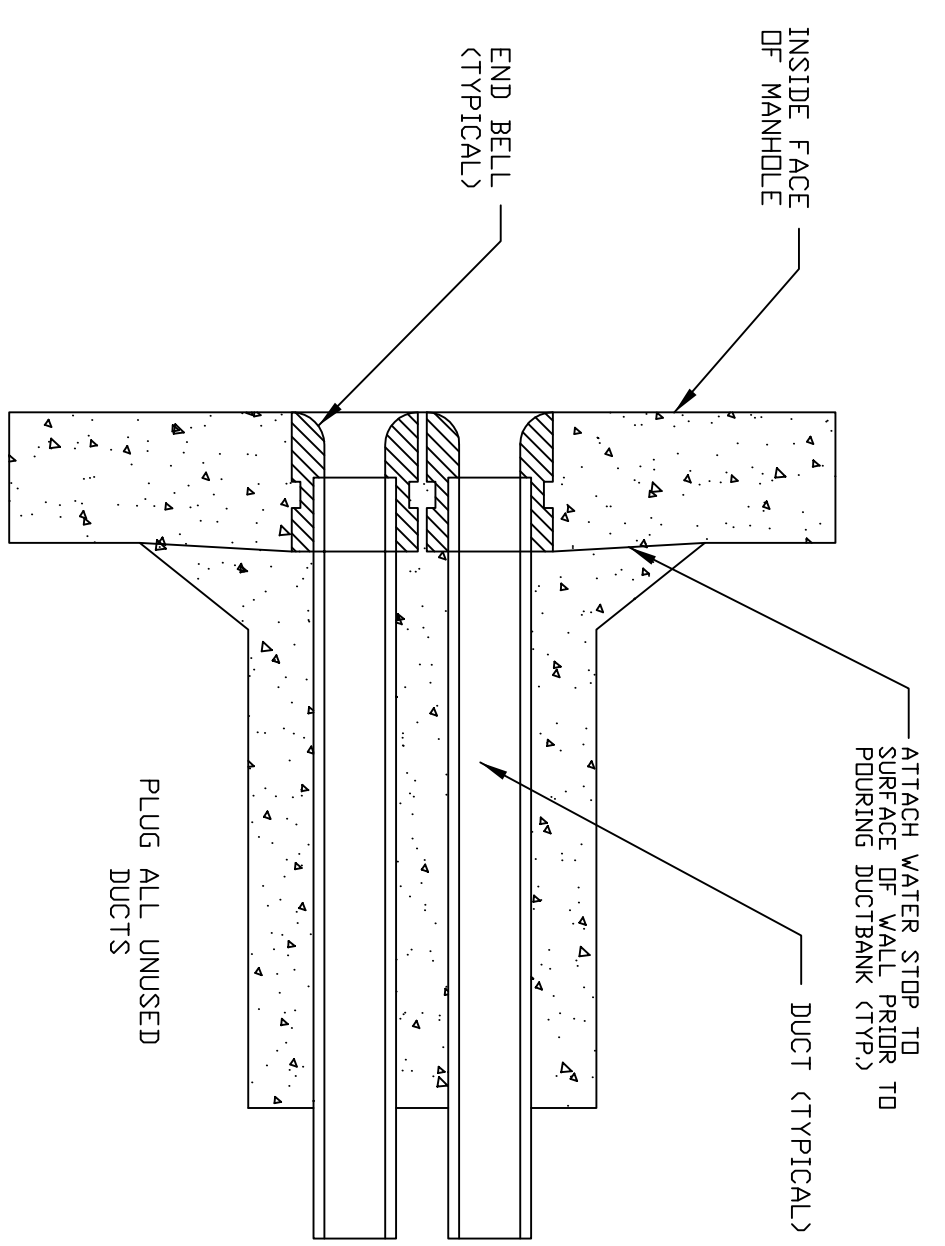
SECTION B-B MANHOLE DETAIL - COMM
NO SCALE



4 ELECTRICAL MANHOLE COVER DETAIL
SCALE: NTS



4 COMMUNICATION MANHOLE COVER DETAIL
SCALE: NTS



8 TYPICAL DUCT WINDOW
NO SCALE

UNIVERSITY OF NORTHERN IOWA
ENGINEERING SERVICES
PHYSICAL PLANT BUILDING
CEDAR FALLS, IOWA 50614-0197
(319) 273-2611 FAX 273-6973

MANHOLE DETAILS WITHOUT LADDER
SCALE 1/2" = 1'-0"
REVISED August 2011

DATE 11-06 DRAWN SB CHECKED DMC # DRAWING STANDARDS/MD 101 1 of 1